



## LED High Intensity Warning Light Part 0-441-15

### WARNINGS

Before using this unit please read these instructions carefully. Take special care to follow the warnings and safety suggestions listed below. Keep these instructions for future reference.

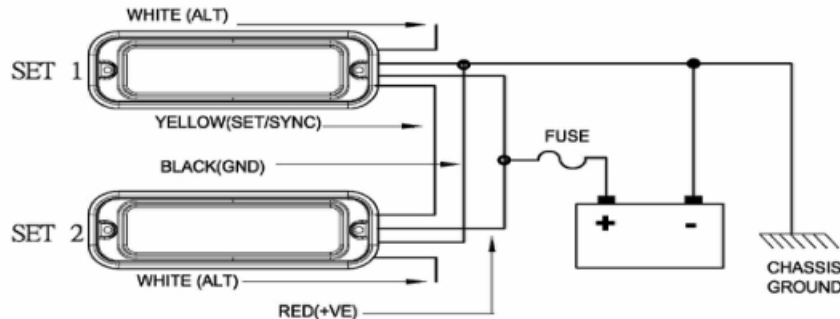
### SAFETY WARNING

1. Proper installation of this product requires the installer to have a good understanding of automotive electronics, systems and procedures.
2. If mounting this product requires drilling holes, the installer MUST be sure that no vehicle components or other vital parts could be damaged by the drilling process. Check both sides of the mounting surface before drilling begins. Also de-burr the holes and remove any metal shards or remnants.
3. Do not install this product or route any wires in the deployment area of your air bag. Equipment mounted or located in the air bag deployment area will damage or reduce the effectiveness of the air bag, or become a projectile that could cause serious personal injury or death. Refer to your vehicle owner's manual for the air bag deployment area. The User/Installer assumes full responsibility to determine proper mounting location, based on providing ultimate safety to all passengers inside the vehicle.
4. Do not attempt to activate or control this device in a hazardous driving situation.
5. This product contains either strobe light(s), halogen light(s), high-intensity LEDs or a combination of these lights. Do not stare directly into these lights. Momentary blindness and/or eye damage could result.
6. Use only soap and water to clean the outer lens. Use of other chemicals could result in premature lens cracking (crazing) and discoloration. Lenses in this condition have significantly reduced effectiveness. Inspect and operate this product regularly to confirm its proper operation and mounting condition. Do not use a pressure washer to clean this product.
7. It is recommended that these instructions be stored in a safe place and referred to when performing maintenance and/or reinstallation of this product.
8. For this product to operate at optimum efficiency, a good electrical connection to chassis ground must be made. The recommended procedure requires the product ground wire to be connected directly to the NEGATIVE (-) battery post.

### MOUNTING

1. Place the unit against the mounting surface.
2. Mark the areas where the mounting holes are to be drilled. Confirm that no vehicle parts could be damaged by the drilling process.
3. Using a bit size for a no. 304 metal screw, drill two mounting holes, a 0.5" diameter. Wire passage hole(s) must also be drilled. Thoroughly de-burr all hole(s).
4. Pass the wires through the hole(s) in the gasket and through the wire passage hole(s) in the mounting surface. Fix the light head to the mounting surface.

### WIRING DIAGRAM



## LED High Intensity Warning Light Part 0-441-15

### WARNINGS

Before using this unit please read these instructions carefully. Take special care to follow the warnings and safety suggestions listed below. Keep these instructions for future reference.

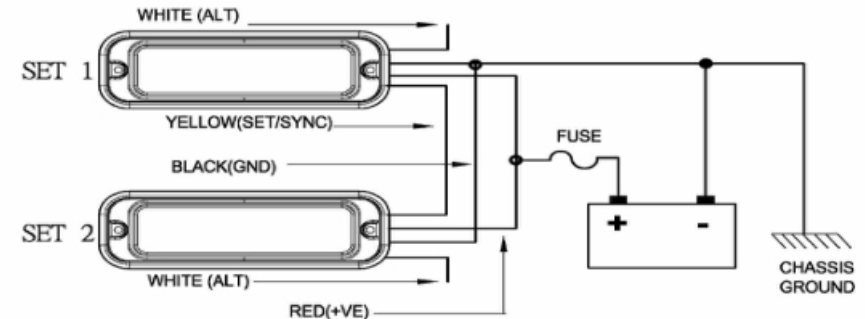
### SAFETY WARNING

1. Proper installation of this product requires the installer to have a good understanding of automotive electronics, systems and procedures.
2. If mounting this product requires drilling holes, the installer MUST be sure that no vehicle components or other vital parts could be damaged by the drilling process. Check both sides of the mounting surface before drilling begins. Also de-burr the holes and remove any metal shards or remnants.
3. Do not install this product or route any wires in the deployment area of your air bag. Equipment mounted or located in the air bag deployment area will damage or reduce the effectiveness of the air bag, or become a projectile that could cause serious personal injury or death. Refer to your vehicle owner's manual for the air bag deployment area. The User/Installer assumes full responsibility to determine proper mounting location, based on providing ultimate safety to all passengers inside the vehicle.
4. Do not attempt to activate or control this device in a hazardous driving situation.
5. This product contains either strobe light(s), halogen light(s), high-intensity LEDs or a combination of these lights. Do not stare directly into these lights. Momentary blindness and/or eye damage could result.
6. Use only soap and water to clean the outer lens. Use of other chemicals could result in premature lens cracking (crazing) and discoloration. Lenses in this condition have significantly reduced effectiveness. Inspect and operate this product regularly to confirm its proper operation and mounting condition. Do not use a pressure washer to clean this product.
7. It is recommended that these instructions be stored in a safe place and referred to when performing maintenance and/or reinstallation of this product.
8. For this product to operate at optimum efficiency, a good electrical connection to chassis ground must be made. The recommended procedure requires the product ground wire to be connected directly to the NEGATIVE (-) battery post.

### MOUNTING

1. Place the unit against the mounting surface.
2. Mark the areas where the mounting holes are to be drilled. Confirm that no vehicle parts could be damaged by the drilling process.
3. Using a bit size for a no. 304 metal screw, drill two mounting holes, a 0.5" diameter. Wire passage hole(s) must also be drilled. Thoroughly de-burr all hole(s).
4. Pass the wires through the hole(s) in the gasket and through the wire passage hole(s) in the mounting surface. Fix the light head to the mounting surface.

### WIRING DIAGRAM





## LED High Intensity Warning Light Part 0-441-15

### FLASH PATTERNS

1. Switch Patterns: (Yellow wires touch Red wires)

To change to next flash pattern:

With the LED Light Heads switched on, momentarily apply + VDC to YELLOW wires for less than 1 second and release

To reset:

With the LED Light Heads switched on, quickly apply three times + VDC to YELLOW wires and release. LED Light Head will reset to the factory default pattern (Pattern # 0, Random)

2. Synchronization: (More than 2 sets of LED Light Heads)

First, connect YELLOW wires of all heads together, quickly apply three times + VDC to YELLOW wires and release for Pattern # 0, Random.

Secondly, momentarily apply + VDC to YELLOW wires to for less than 1 second and release for Pattern # 1, then the synchronization will be functioned.

3. Alternating or Simultaneous Flash: (More than 2 sets of LED Light Heads)

Under Synchronization, connect WHITE wire of LED Light Head 1 to Red wires of all other LED Light Heads;

LED Light Head 1 will alternate with other LED Light Heads.

If the WHITE wire not connected to Red wires, all LED Light Heads will flash together (Simultaneous flash)

4. Flash Patterns: 20 selectable strobe patterns

No.	Flash Pattern	No.	Flash Pattern
0	Random (Default)	10	Single H/L (Split)
1	Single (Split) right or left	11	Single (All)
2	Single (Split) right only (R65)	12	Single (All)
3	Single (Split) left only (R65)	13	Double (All)
4	Double (Split)	14	Quad (All)
5	Quad (Split)	15	Quint (All)
6	Quint (Split)	16	Mega (All)
7	Mega (Split)	17	Ultra (All)
8	Ultra (Split)	18	Single-Quad (All)
9	Single-Quad (Split)	19	Steady (All)

### SPECIFICATION

Type	Ultra high intensity LED
Colour	Red / Amber
Number of LEDs	6 x 3 watt
Voltage	12/24 volt dc
Current	0.70 amps at 12volts
Flash patterns	20
Base	Aluminum
Operating temperature	-20C - +50C
Protection	IP68
Weight	40g
Dimensions	1113 x w 28.4 x h 9mm
Compliance	UKCA,ECE R10 R65



## LED High Intensity Warning Light Part 0-441-15

### FLASH PATTERNS

1. Switch Patterns: (Yellow wires touch Red wires)

To change to next flash pattern:

With the LED Light Heads switched on, momentarily apply + VDC to YELLOW wires for less than 1 second and release

To reset:

With the LED Light Heads switched on, quickly apply three times + VDC to YELLOW wires and release. LED Light Head will reset to the factory default pattern (Pattern # 0, Random)

2. Synchronization: (More than 2 sets of LED Light Heads)

First, connect YELLOW wires of all heads together, quickly apply three times + VDC to YELLOW wires and release for Pattern # 0, Random.

Secondly, momentarily apply + VDC to YELLOW wires to for less than 1 second and release for Pattern # 1, then the synchronization will be functioned.

3. Alternating or Simultaneous Flash: (More than 2 sets of LED Light Heads)

Under Synchronization, connect WHITE wire of LED Light Head 1 to Red wires of all other LED Light Heads;

LED Light Head 1 will alternate with other LED Light Heads.

If the WHITE wire not connected to Red wires, all LED Light Heads will flash together (Simultaneous flash)

4. Flash Patterns: 20 selectable strobe patterns

No.	Flash Pattern	No.	Flash Pattern
0	Random (Default)	10	Single H/L (Split)
1	Single (Split) right or left	11	Single (All)
2	Single (Split) right only (R65)	12	Single (All)
3	Single (Split) left only (R65)	13	Double (All)
4	Double (Split)	14	Quad (All)
5	Quad (Split)	15	Quint (All)
6	Quint (Split)	16	Mega (All)
7	Mega (Split)	17	Ultra (All)
8	Ultra (Split)	18	Single-Quad (All)
9	Single-Quad (Split)	19	Steady (All)

### SPECIFICATION

Type	Ultra high intensity LED
Colour	Red / Amber
Number of LEDs	6 x 3 watt
Voltage	12/24 volt dc
Current	0.70 amps at 12volts
Flash patterns	20
Base	Aluminum
Operating temperature	-20C - +50C
Protection	IP68
Weight	40g
Dimensions	1113 x w 28.4 x h 9mm
Compliance	UKCA, ECE R10 R65

