



## 0-441-64 - High Intensity 4 LED Warning Lamp - Amber R65

Durite Warning Light (AMBER) , Voltage: 10-30VDC. 4 x 3W LED's

- . Mounting: Surface mount
- . Patterns: 12 flash patterns
- . Waterproof Rate: IP69K
- . Highly increase the visibility of your vehicle during day and night to improve driving safety
- E Mark R10, R65



THE TRUSTED QUALITY BRAND FOR PROFESSIONALS

## **WARNINGS**

Before using this unit please read these instructions carefully. Take special care to follow the warnings and safety suggestions listed below. Keep these instructions for future reference.

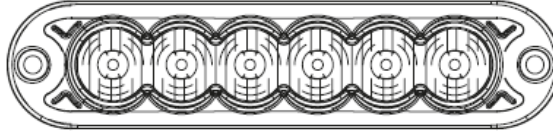
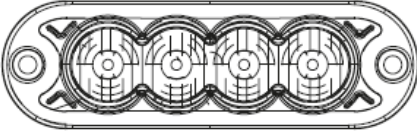
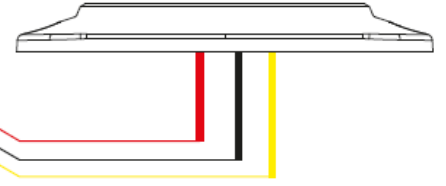
### **SAFETY WARNING**

1. Proper installation of this product requires the installer to have a good understanding of automotive electronics, systems and procedures.
2. If mounting this product requires drilling holes, the installer **MUST** be sure that no vehicle components or other vital parts could be damaged by the drilling process. Check both sides of the mounting surface before drilling begins. Also de-burr the holes and remove any metal shards or remnants.
3. Do not install this product or route any wires in the deployment area of your air bag. Equipment mounted or located in the air bag deployment area will damage or reduce the effectiveness of the air bag, or become a projectile that could cause serious personal injury or death. Refer to your vehicle owner's manual for the air bag deployment area. The User/Installer assumes full responsibility to determine proper mounting location, based on providing ultimate safety to all passengers inside the vehicle.
4. Do not attempt to activate or control this device in a hazardous driving situation.
5. This product contains either strobe light(s), halogen light(s), high-intensity LEDs or a combination of these lights. Do not stare directly into these lights. Momentary blindness and/or eye damage could result.
6. All connections must use waterproof connectors and any unconnected wires must be sealed to prevent water ingress via the wire core, failure to do this may result in premature failure and invalidate the warranty.
7. Use only soap and water to clean the outer lens. Use of other chemicals could result in premature lens cracking (crazing) and discoloration. Lenses in this condition have significantly reduced effectiveness. Inspect and operate this product regularly to confirm its proper operation and mounting condition.
8. It is recommended that these instructions be stored in a safe place and referred to when performing maintenance and/or reinstallation of this product.
9. For this product to operate at optimum efficiency, a good electrical connection to chassis ground must be made. The recommended procedure requires the product ground wire to be connected directly to the **NEGATIVE (-)** battery post.

## WIRING DIAGRAM

**Surface Mount:**

To + VDC.....RED ●  
 To Chassia Ground.....BLACK ●  
 For Synchronization:..... YELLOW ●  
 Connect YELLOW wires of all heads together for synchronization  
 (all heads must be set at the same pattern)



## FLASH PATTERNS

**For Flash Patterns:**

Momentarily apply + VDC to YELLOW wire:

- . Once for next pattern
- . With memory Function

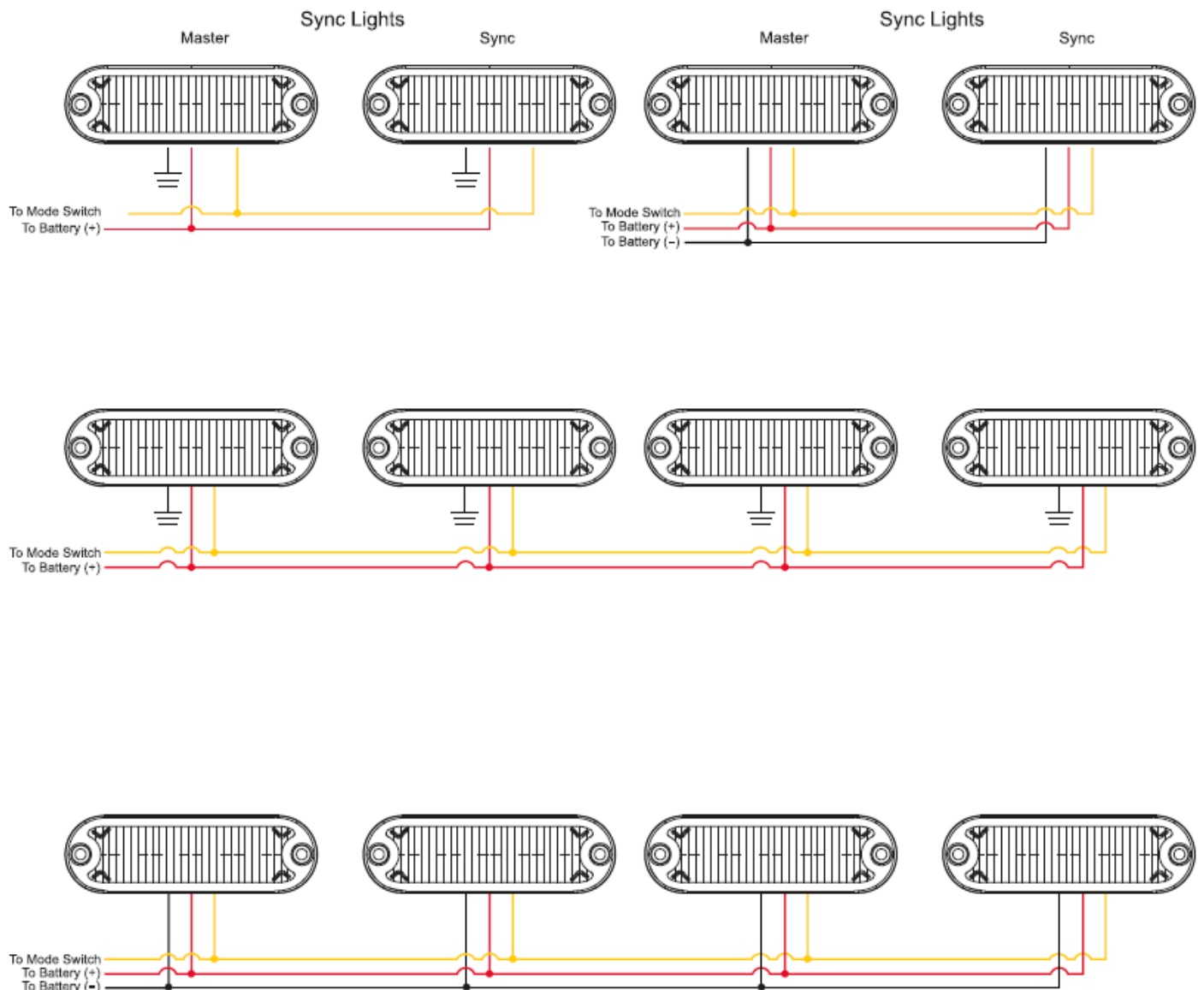
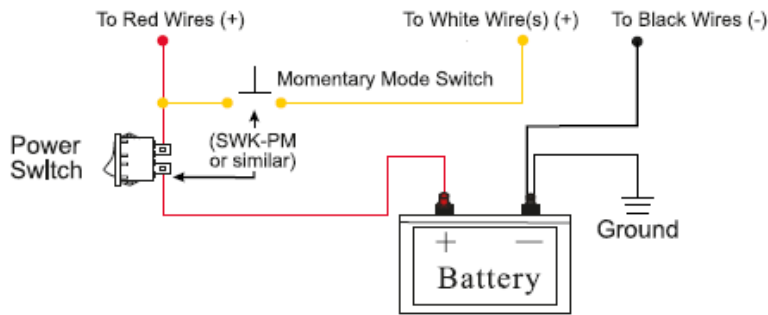
**12 functions**

1	Six flash	7	Double flash(Speed)
2	Quad flash	8	Quad flash(Speed)
3	Double flash	9	R/L flash
4	Six flash (Speed)	10	Double Flash(R/L)
5	Single flash-R65	11	Six flash (R/L)
6	Triple flash	12	Triple flash (R/L –Speed)

# SYNCHRONIZATION

## For Simultaneous or Alternating Flash:

1. Apply + VDC to RED and YELLOW wires simultaneously to enter Grouping mode; lighthead will display short (single or double) flashes: . Single flash= Group 1. Double flash= Group 2
2. Remove YELLOW wire from + VDC and momentarily apply to + VDC to change groups:
  - Heads in the same Group flash together.
  - Group 1 heads alternate with Group 2 Heads.



## TECHNICAL SPECIFICATIONS

Type	Warning Lamp - Amber
Voltage	10-30VDC
LED's	4 Amber LED's
Power	12W Max (4 x 3W)
Current Draw	0.85A at 12VDC, 0.43A at 24VDC
Flash Patterns	12
IP Rating	IP69K
Material Construction	PC Lens, Aluminium Base
Weight	0.039Kg
Dimensions	Please see below
Operating Temperature	-30°C to +50°C
Storage Temperature	-30°C to +50°C
Certificate	CE, E Mark R10 EMC, R65

## TECHNICAL DRAWING

