



**PIR - Passive Infrared Sensor 12/24VDC 5A Max  
Part 0-743-23**



**WARNINGS**

Before using this unit please read these instructions carefully. Take special care to follow the warnings and safety suggestions listed below. Keep these instructions for future reference. There are no user-serviceable parts within the unit, refer servicing to qualified service personnel.

**GENERAL**

Durite's easy to install slim PIR. Built in PIR sensor/switch, 35 second timer, extends battery life. Low energy consumption. Low Profile Design - only 22mm. E-type Approved ECE R10 12/24 volt. 5.0Amp. Waterproof to IP67. 5 Meter Detection Distance.

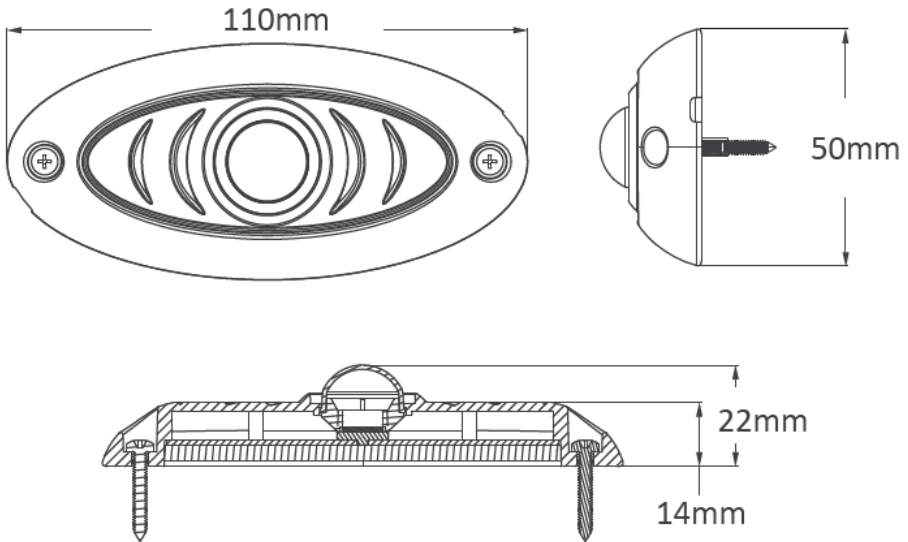
Built in PIR sensor/switch - The electronics used within this unit have been designed to detect the movement of body heat in order to activate the sensor.

35 second timer - Once the sensor has been triggered, this timer unit will automatically switch the connected lamps on for a period of 35 seconds before automatically switching off. If continuous movement is detected then the lights in the vehicle will remain on.

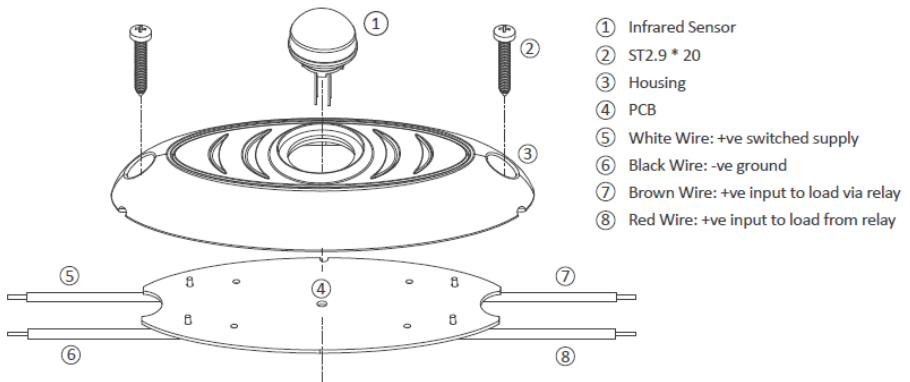
The maximum current draw that is permitted via the relay is 5.0 Amps Max.

Low profile design - These surface mounted units are only 22mm in depth therefore keeping obstruction to the minimum.

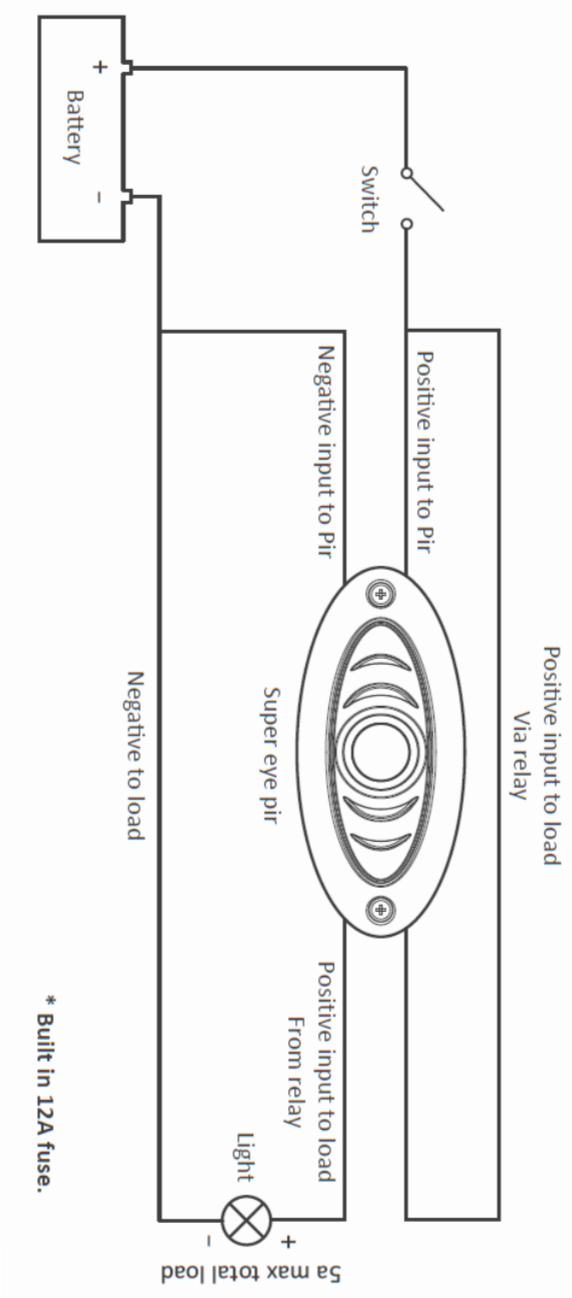
## DIMENSIONAL DRAWING



## PRODUCT COMPONENTS



**WIRING DIAGRAM**



## **SPECIFICATION**

Type.....	PIR Sensor
Voltage.....	12/24VDC
Current.....	Max Current 5.0Amps
Switch on time.....	35 Seconds
Angle of Sensor.....	90 Degrees
Detection Distance.....	5 Metres
Off Load Current.....	.40Ma
Protection.....	IP67
Operating Temperature.....	-25°C to 65°C
Dimensions.....	Please see page 2 dimensional drawing
Weight.....	90g
Compliance.....	CE, ECE EMC R10