



Image for illustration purpose. Actual product might differ slightly.

### O-775-41 CCTV 5" Digital Wireless System

Durite 2-Channel wireless reversing camera system, includes 5" Colour TFT LCD monitor & 1 rear view CMOS Camera. Suitable for 12V/24V applications. High resolution monitor and bracket is suitable for most cabins and ensures robust installation on all truck sizes and industrial vehicles. Colour camera protected to IP68. Supplied with remote control. 1 additional camera can be used with this kit. E Marked.



THE TRUSTED QUALITY BRAND FOR PROFESSIONALS

## **WARNINGS**

Before using this unit please read these instructions carefully. Take special care to follow the warnings indicated on the unit itself as well as the safety suggestions listed below. Keep these instructions for future reference.

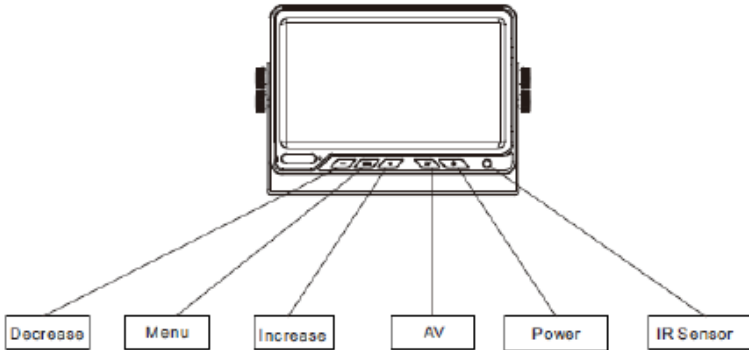
The vehicle safety vision system is designed to be used with, not instead of other viewing aids in your vehicle. The manufacturer shall not be held liable for any accidents which occur while operating this system.

- \* **Please ensure you are familiar and comply with local traffic and driving regulations.**
- \* **Power Source** - The monitor should be connected to a 12 - 24 volt dc power supply only.
- \* **Water and Moisture** - Do not use the monitor where it may be subject to water ingress or excessive moisture. Do not use outside the vehicle unprotected.
- \* **Heat** - Do not install the monitor or camera near a direct heat sources.
- \* **Ventilation** - The monitor should be situated to allow free circulation of air.
- \* **Foreign Material** - Care should be taken so that objects do not fall onto or into, and that liquids are not spilled on the monitor.
- \* **Mounting Surface** - The monitor should be mounted to a strong secure surface.
- \* **Replacement Parts** - Use only manufacturers replacement specified parts. Unauthorised substitutions may result in fire risk, electric shock or other hazards and will void the warranty
- \* **Service** - The user should not attempt to service this units beyond that described in the operating instructions. There are no user-serviceable parts within the unit.
- \* **Isolation** - When fitting to an isolated earth vehicle the camera and monitor bracket must also be electrically isolated from the vehicle chassis. If interference is experienced on earthed chassis vehicles electrically isolating the camera from the chassis should eliminate the interference.
- \* **Screen Protective Film** - Remove the LCD screen protective plastic cover before use.

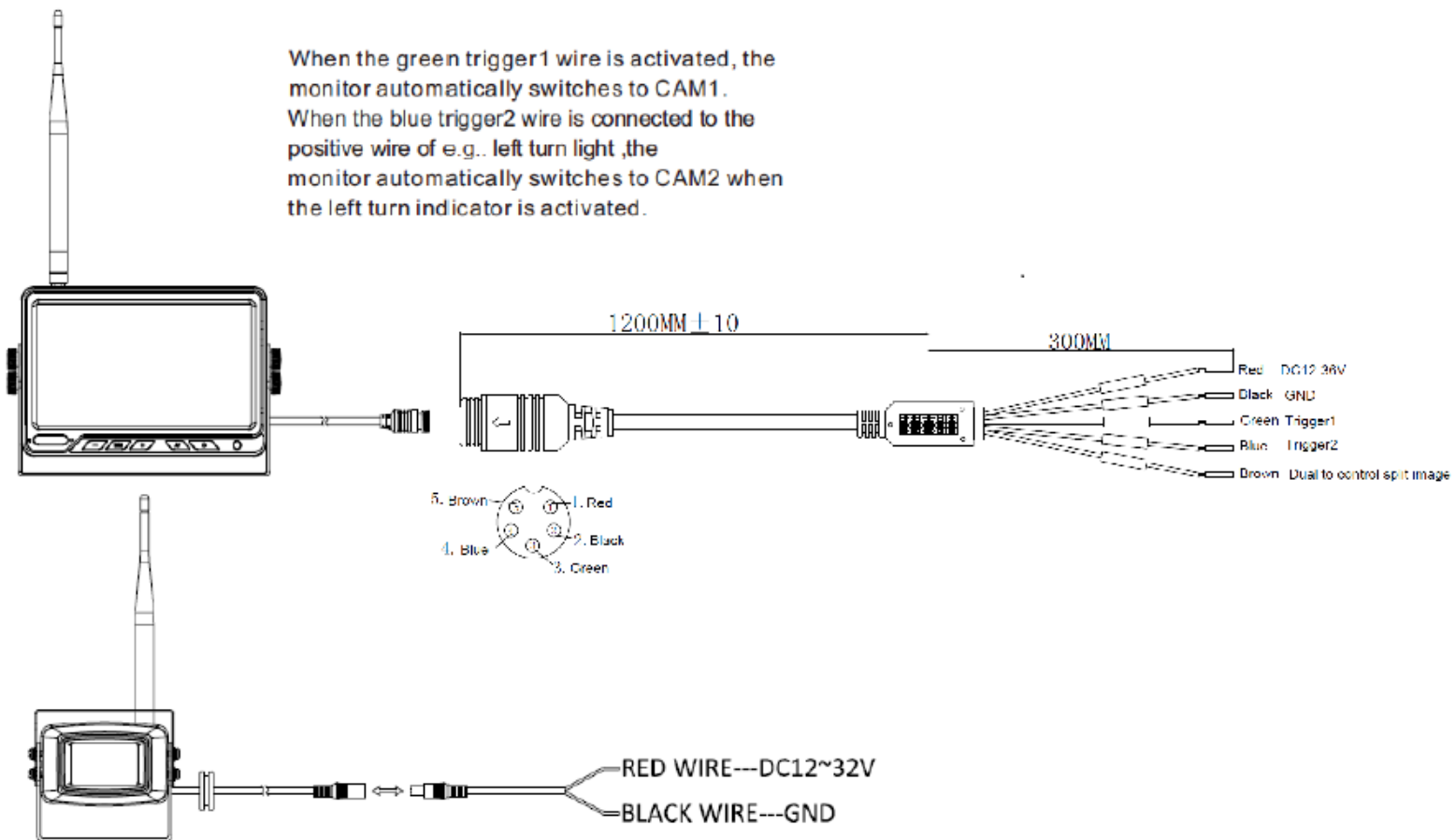
### **Features:**

1. TFT LCD monitor with wide angle view and high resolution display.
2. NORMAL, MIRROR, FLIP and MIRROR-FLIP view available.
3. Split mode, auto-scan mode and single display mode available.
4. Auto-pairing.
5. Auto-dimming function.
6. Remote control.
7. Dual voltage DC12-24VDC.
8. On-board speaker.
9. Trigger controlled channels.

# WIRING DIAGRAM

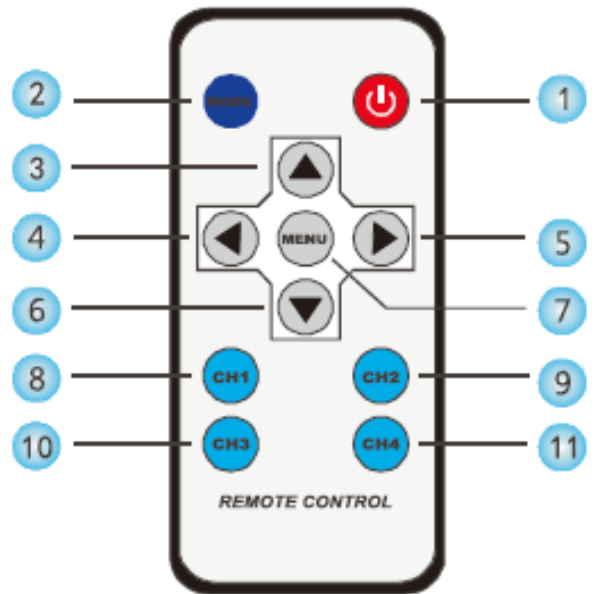


When the green trigger1 wire is activated, the monitor automatically switches to CAM1.  
 When the blue trigger2 wire is connected to the positive wire of e.g.. left turn light ,the monitor automatically switches to CAM2 when the left turn indicator is activated.



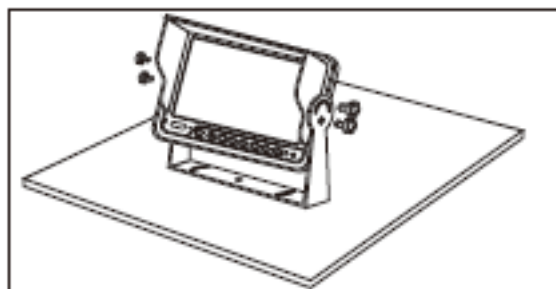
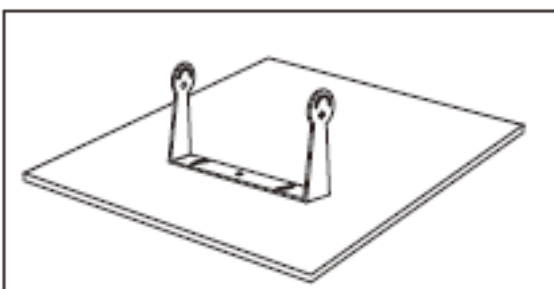
## REMOTE CONTROL DIAGRAM

- |                   |                   |
|-------------------|-------------------|
| 1 Power On        | 2 Mode            |
| 3 Analog Increase | 4 Volume Down     |
| 5 Volume Up       | 6 Analog Decrease |
| 7 Menu            | 8 CH 1 (Video)    |
| 9 CH 2 (Video)    | 10 CH 3 (Video)   |
| 11 CH 4 (Video)   |                   |

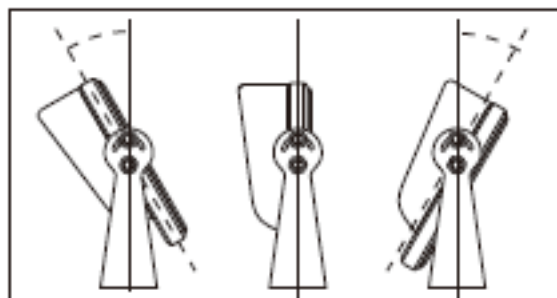
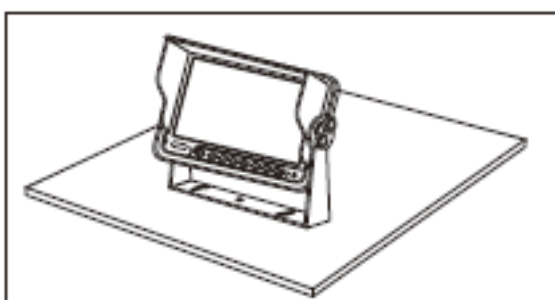


## INSTALLATION

Fix the U Bracket using the screw provided. Insert the monitor into the bracket, adjust the angle to preference and fix in place using the locking screws.



The monitor can be adjusted 30° forwards and backwards. Select the desired angle for optimal viewing.



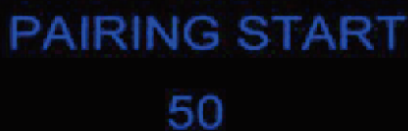
## MENU

Menu can only be accessed under single channel operation. Press **M** to display the following options and setting:

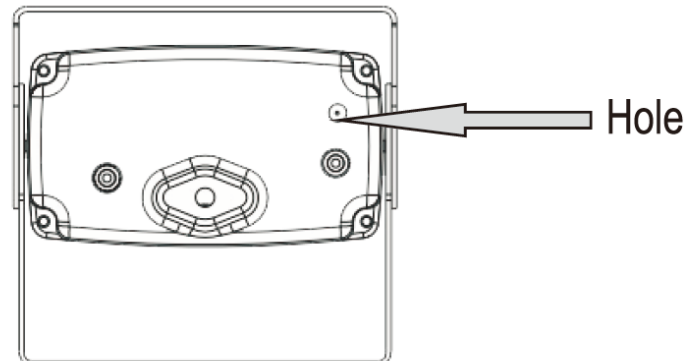
1. PAIRING
2. PICTURE
3. MIRROR-FILP
4. CAMERA SETUP
5. SYSTEM



Press **+** or **-** to select PAIRING and then press AV to enter.

A screenshot of a black screen with the text "PAIRING START" in blue at the top and "50" in blue below it.

PAIRING START  
50



### **Auto Pairing:**

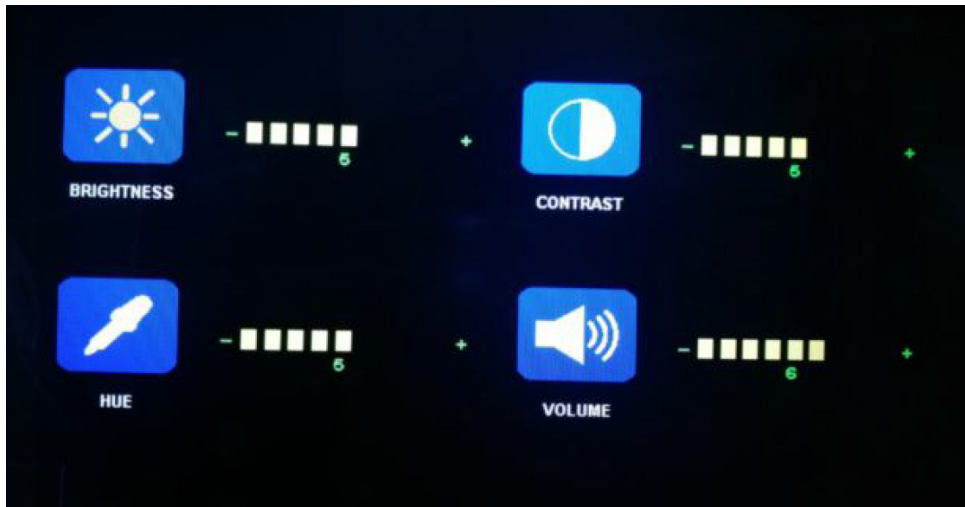
1. Select the channel that you want to pair with a camera. The monitor will display the message PAIRING START 50 SECONDS.
2. Power up the camera.
3. The monitor and camera will sync in around 5 seconds.
4. If successful the camera image will appear. If not the screen will show NO SIGNAL. If this happens repeat the process until successful pairing is achieved.

### **Manual Pairing:**

1. Select the channel that you want to pair with a camera. The monitor will display the message PAIRING START 50 SECONDS.
2. Press the pairing button on the camera (see above image).
3. If successful the camera image will appear. If not the screen will show NO SIGNAL. If this happens repeat the process until successful pairing is achieved.

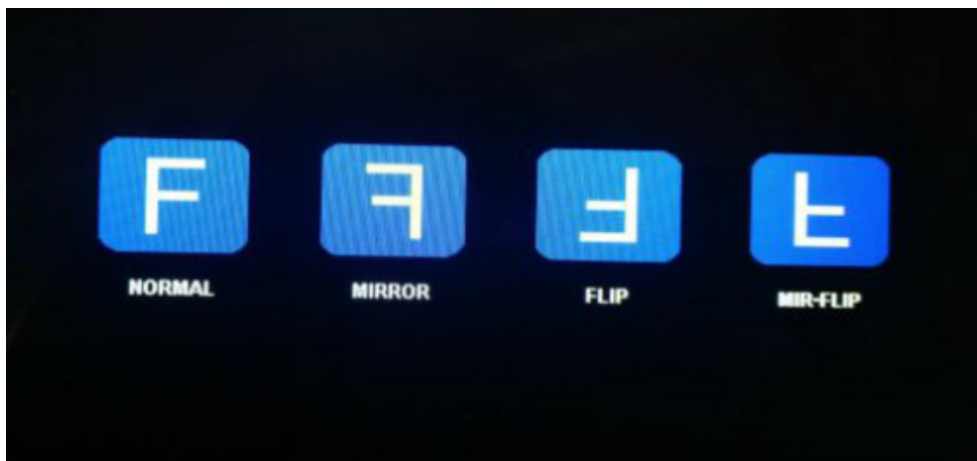
## MENU

Press **+** or **-** to select PICTURE and then press AV to enter the submenu.



Press **+** or **-** to select BRIGHTNESS, CONTRAST, HUE OR VOLUME and then press AV to enter the setting. Once the icons turn red they can be adjusted. Press **+** or **-** to adjust values up or down. Press **M** to exit the menu. Press **M** again to return to the main menu.

Press **+** or **-** to select MIR-FLIP and press AV to select chosen option.



Press **+** or **-** to select NORMAL / MIRROR / MIR-FLIP / FLIP. Press **M** to return to the main menu.

## TECHNICAL SPECIFICATIONS

Type	5" Digital Wireless CCTV System
Resolution	800 x RGB x 480
Contrast	500:1
Brightness	450 cd/m2
View Angle	U:60/D:70,R/L:70
Aspect Ratio	16:9
Channels	2
Operating Frequency	2400 - 2483.5MHz
Receiving Sensitivity	89dBm
Decompression Form	MPEG4
Transmit Output Power	17dBm
Modulation	2.4FSK/GFSK
Time Delay	120ms
Transmitting Distance	<120M
Camera	CMOS 800TVL
Camera Resolution	728(H)X512(V)
Power Supply	11-32VDC
Power Consumption	6W Max
Loudspeaker	1.5W / 8Ohm
Operating Temperature	-20°C ~ +70°C RH90%
Storage Temperature	-30°C ~ +80°C RH90%
Camera Weight	498g
Camera Dimensions	W 9.0 x D 7.0 x H 9.0 CM
Monitor Weight	340g
Monitor Dimensions	W 15 x D 5 x H 11 CM
Certificate	E Marked R10 EMC

\*not to scale