

## auto electrical parts

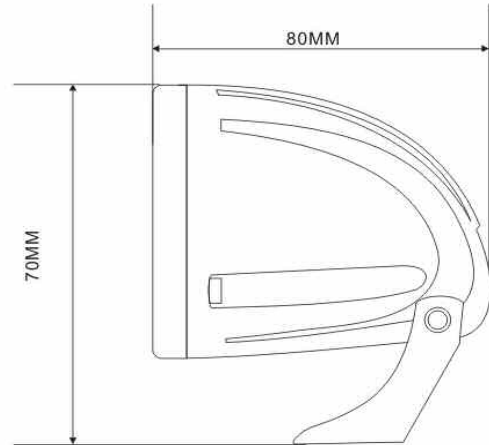
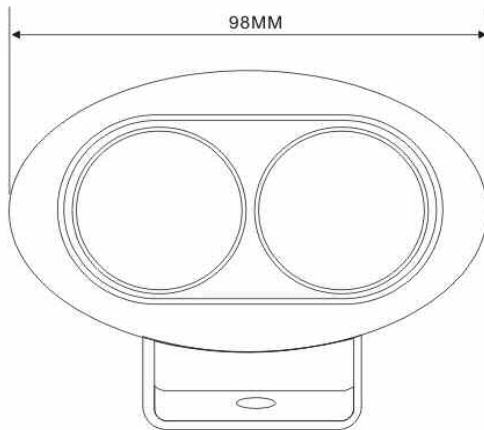
### Technical Information Sheet

#### Part No. 0-420-60

A powerful and compact 2 x 5 watt 10-48 volt CREE LED work lamp. 1000 Lumen's. Diecast aluminum housing, supplied with stainless steel bracket. Protected to IP68. l 98 x w 80 x h 70mm.



#### Technical Drawing (not to scale)



#### Specification

Type	LED work lamp
Voltage	10-48 volt dc
LED's	2 x 5W (5000-6000K)
Current Draw	0.73A@12V / 0.36A @24VDC
Lumens	1000Lm
Housing	Die Cast Aluminum
Lens	Polycarbonate
Degree of protection (IP)	IP68
Operating temperature	-40°C to +85°C
Weight	430g
Lifespan	50,000 Hours
Dimensions	l 98 x w 80 x h 70mm
Approvals	CE

The information contained in this document is correct to the best of our knowledge at the time of printing. However, specifications may change at any time without notice.