

auto electrical parts

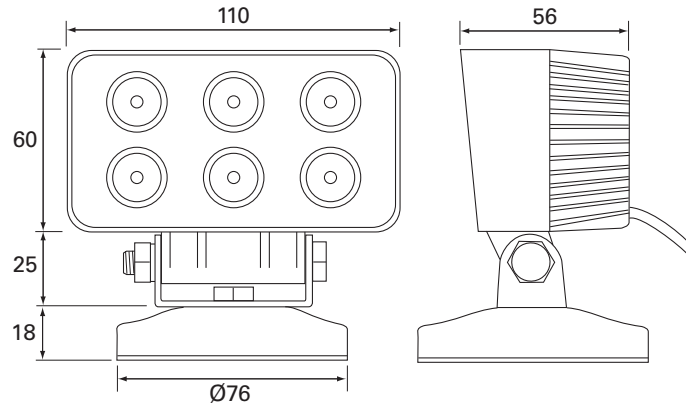
Technical Information Sheet

Part No. 0-420-72

A powerful 6 x 3 watt 12/24 volt LED work lamp. Low current draw, 1.4 amp at 12 volt dc. Black powder coated die cast aluminium case, polycarbonate lens, supplied with stainless steel adjustable bracket, magnetic base and 2.5 metre working length retractable cable with a cigarette lighter plug. Protected to IP67. I 110 x w 56 x h 103mm.



Technical Drawing (not to scale)



Specification

Type	LED work lamp
Voltage	10-30 volt dc
Current	1.4 amp at 12 volt dc
LEDs	6 x 3W Epistar LEDs
Light intensity	1350 lumen
Housing	Die cast aluminium
Bracket	Stainless steel
Cable	Coiled retractable 2.5m working length
Lens	PMMA
Degree of protection	IP67
Operating temperature	-40°C to +60°C
Weight	760g
Dimensions	I 110 x w 56 x h 103m

The information contained in this document is correct to the best of our knowledge at the time of printing. However, specifications may change at any time without notice.