

auto electrical parts

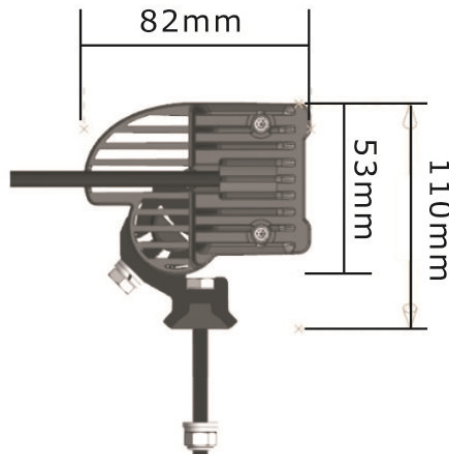
Technical Information Sheet

Part No. 0-420-88

A powerful 10.55inch (268mm) 40 watt (8x5W) 3040 Lumen, 10-30 volt CREE LED Work lamp. Black powder coated die cast aluminum case, polycarbonate lens. Protected to IP67. 90cm Flying Leads. h 110 x w 268 x d 82mm. Approx Life: 30,000 hours. EMC Approved. Mounting options: 2 types of bracket included for bespoke installation i.e. Roof mounting or under-slung.



Technical Drawing (not to scale)



Specification

Type	LED work lamp
Voltage	10-30 volt dc
LEDs	CREE 8 x 5W (6000K)
Lumens	3040Lm
Housing	Die cast aluminium
Bracket	Die cast aluminium
Lens	Polycarbonate
Degree of protection	IP67
Operating temperature	-40°C to +50°C
Weight	1.20KG
Dimensions	h 110 x w 268 x d 82mm
Approval	CE, EMC

The information contained in this document is correct to the best of our knowledge at the time of printing. However, specifications may change at any time without notice.