



## 0-441-41 - Round Warning Lamp - 10-30VDC

Durite Round Amber Warning Lamp. 10-30VDC. 4 x 3W3535 LED. 36 Flash Patterns. IP67. E Marked R65 + R10.

### Wire Functions:

RED = +VE Positive

BLACK = -VE Earth

YELLOW = Flash Pattern Select

WHITE = SYNC

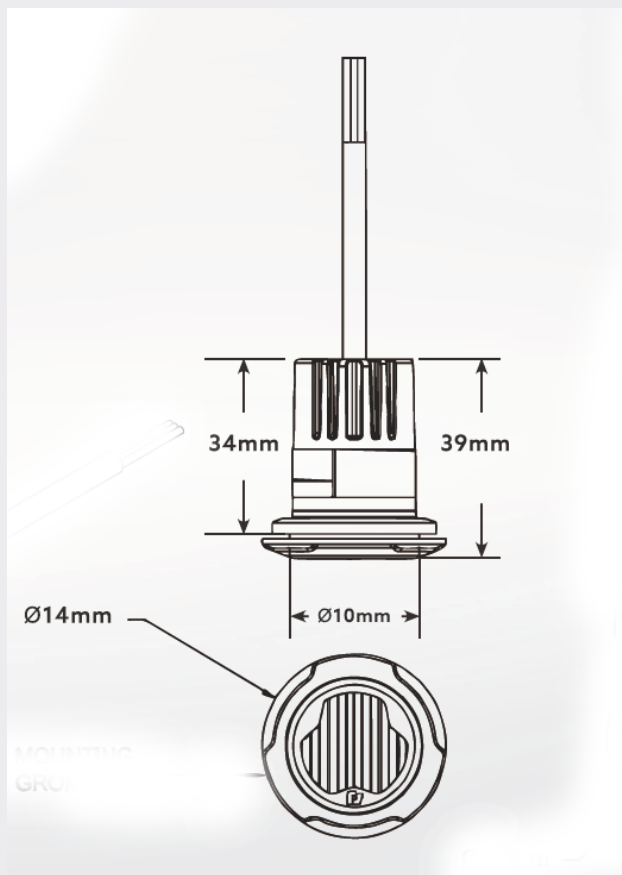


THE TRUSTED QUALITY BRAND FOR PROFESSIONALS

## TECHNICAL SPECIFICATIONS

Type	Round Warning Lamp - Amber
Voltage	10-30VDC
LED's	4pcs 3W3535 LED
Power	6W
Current Draw	0.5A at 12V / 0.25A at 24V
IP Rating	IP67
Material Construction	PC, Aluminium Alloy
Weight	0.040Kg
Dimensions	Please see below
Operating Temperature	-30°C ~ +60°C
Storage Temperature	-30°C ~ +60°C
Certificate	CE, E Mark R65, R10 EMC

## TECHNICAL DRAWING / FLASH PATTERNS



FLASH NUMBER	FLASH PATTERNS
1	Single flash-Slow
2	Single flash-Slow-Low power
3	Double flash-Slow
4	Single flash-Slow-Alternating Group
5	Single flash
6	Single flash -Low power
7	Double flash-Fast
8	Single flash Alternating Group
9	Double flash-Slow
10	Triple flash-Slow
11	Double flash-Slow-Alternating Group
12	Double flash-Fast
13	Double flash-Fast-Low power
14	Triple flash-Fast
15	Double flash-Fast-Alternating Group
16	Triple flash
17	Quad flash
18	Triple flash-Alternating Group
19	Quad flash-Slow
20	Sextuple flash-Slow
21	Quad flash-Slow-Alternating Group
22	Quad flash-Fast
23	Quintuple flash-Fast
24	Quad flash-Fast-Alternating Group
25	Octa flash
26	Eleven flash
27	Octa flash-Alternating Group
28	Continuously flash-Fast
29	Automatically flash 5/28
30	Automatically flash 12/16
31	Single Flash splits accelerate
32	Double flash split accelerate)
33	SOS flash
34	Cycle through or Random
35	Steady on
36	Close