

auto electrical parts

Technical Information Sheet

Part No. 0-442-00

Durite's LED Work light Warning Lamp. ECE R65. 10-30VDC. 12 amber LEDs. 10 Flash Patterns, 8.5W Max PC Lens, Aluminum Alloy Housing. IP67 Bracket/Surface mount. Working Temperature:-30 ~65°C. 0.4m flying leads.



Additional Information:

Wire Colours

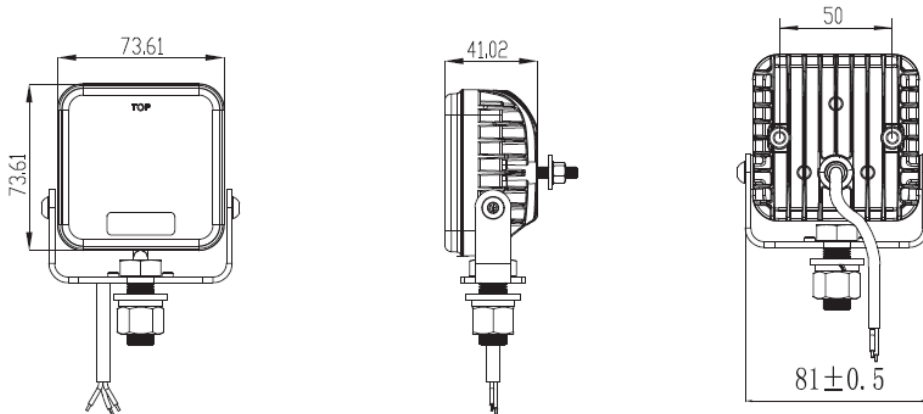
Red = +VE

Black = -VE

Blue = Flash Pattern Select / Sync

Green = Asynchronization

Technical Drawing (not to scale)



Specification

Type	Warning Lamp
Voltage	10-30VDC
LED's	12
Flash Patterns	10
Power	8.5W Max
Material	Aluminum Body, PC Lens
IP Rating	IP67
Operating Temperature	-30 ~65°C
Weight	200g
Dimensions	See above
Certificate	CE, E Marked ECE R65

Flash Patterns		
1	Single Split	Flash between A & B
2	Double Split	Double flash A then double flash B, alternating
3	Quad Split	Four flashes A then four flashes B, alternating
4	Quint Split	Five flashes A then four flashes B, alternating
5	Single All	Flash All (A & B)
6	Double All	Double flash all (A & B)
7	Quad All	Four flashes all (A & B)
8	Quint All	Five flashes all (A & B)
9	Steady Split	B steady on, A quad flash (Four Flashes)
10	Steady All	A & B on Steady

The information contained in this document is correct to the best of our knowledge at the time of printing. However, specifications may change at any time without notice.