

auto electrical parts

Technical Information Sheet

Part No. 0-442-04

High intensity Green LED warning light with chrome bezel. Dual voltage 3 LED unit with 12 programmable flash sequences, can be synchronized with other units, two bolt fixing. CE and ECE approved.

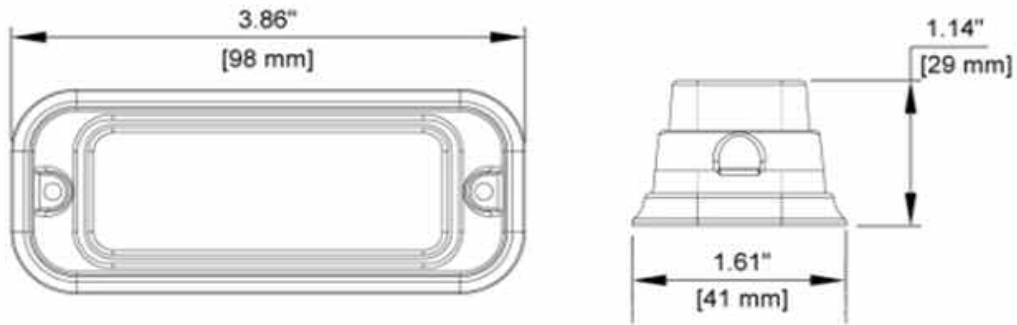
Additional information

- Red wire +ve supply
- Black wire -ve ground
- White wire alternating flash
- Yellow wire synchronization and flash pattern

Momentarily connecting the yellow wire to red changes the flash pattern, sequencing it through the 12 patterns, connecting it 3 times in quick succession resets the flash pattern to default (sequencing). Connecting the yellow wires together synchronizes the lights provided they have been set to the same flash pattern. Connecting one white wire to red will alternate the flash pattern of a pair of lights.



Technical Drawing (not to scale)



Specification

- Type High intensity LED stobe
- Colour Green
- Number of LEDs 3 x 1 watt
- Voltage 12/24 volt dc
- Current 0.35 amps
- Flash patterns 12
- Base Metal alloy
- Bezel Chromed plastic
- Operating temperature -30°C to +60°C
- Protection IP65
- Compliance CE, ECE

| No. | Flash Pattern | No. | Flash Pattern |
|-----|---------------|-----|---------------------|
| 0 | Random (all) | 6 | Quad |
| 1 | Steady | 7 | Quint |
| 2 | Single | 8 | 8 Flash |
| 3 | Mega | 9 | Single - Quad |
| 4 | Double | 10 | Single H/L |
| 5 | Triple | 11 | Single-Triple-Quint |

The information contained in this document is correct to the best of our knowledge at the time of printing. However, specifications may change at any time without notice.