

auto electrical parts

Technical Information Sheet

Part No. 0-442-07

High intensity White LED warning light with chrome bezel. Dual voltage 3 LED unit with 12 programmable flash sequences, can be synchronized with other units, two bolt fixing. CE and ECE approved.

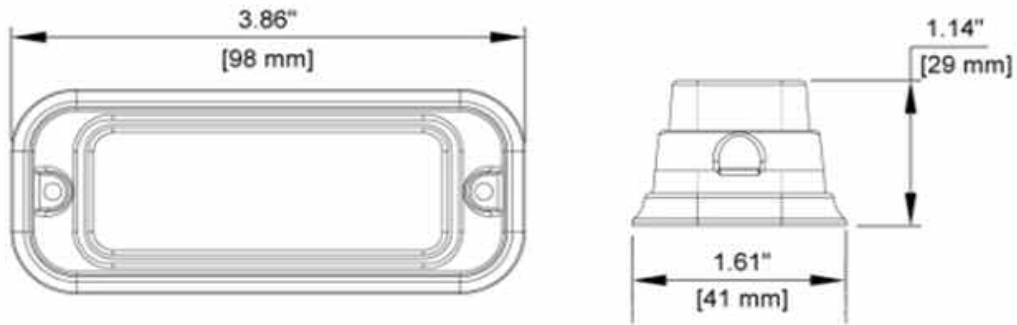
Additional information

Red wire +ve supply
 Black wire -ve ground
 White wire alternating flash
 Yellow wire synchronization and flash pattern

Momentarily connecting the yellow wire to red changes the flash pattern, sequencing it through the 12 patterns, connecting it 3 times in quick succession resets the flash pattern to default (sequencing). Connecting the yellow wires together synchronizes the lights provided they have been set to the same flash pattern. Connecting one white wire to red will alternate the flash pattern of a pair of lights.



Technical Drawing (not to scale)



Specification

Type High intensity LED stobe
 Colour White
 Number of LEDs 3 x 1 watt
 Voltage 12/24 volt dc
 Current 0.35 amps
 Flash patterns 12
 Base Metal alloy
 Bezel Chromed plastic
 Operating temperature -30°C to +60°C
 Protection IP65
 Compliance CE, ECE

No.	Flash Pattern	No.	Flash Pattern
0	Random (all)	6	Quad
1	Steady	7	Quint
2	Single	8	8 Flash
3	Mega	9	Single - Quad
4	Double	10	Single H/L
5	Triple	11	Single-Triple-Quint

The information contained in this document is correct to the best of our knowledge at the time of printing. However, specifications may change at any time without notice.