

auto electrical parts

Technical Information Sheet

Part No. 0-443-46

Durite's Mini LED Lightbar. Amber LED's. 12/24VDC. 40W. IP67. 10 Flash Patterns. Single Bolt. E Marked Approved to ECE R10 EMC & R65.

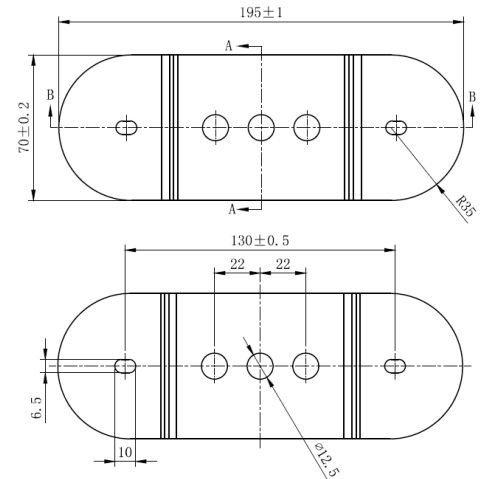
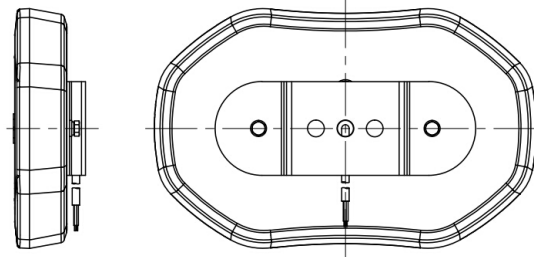
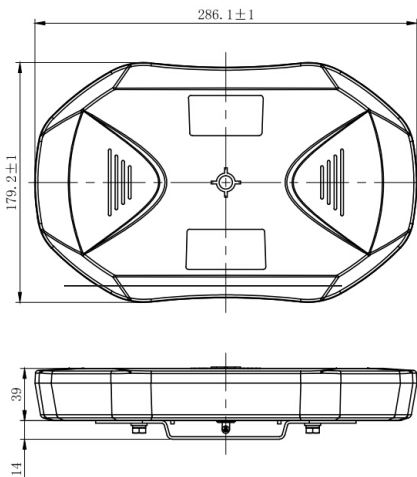


Wire Functions:

Black : Negative Polarity

Red : Positive Polarity

Yellow = Flash Pattern Select. (Connect this to Earth momentarily to change the flash pattern).



Specification

Product Type	Mini Lightbar
LED Colour	Amber
Voltage	12/24VDC
Max Power	40W
Fuse	NA
Current Draw 12VDC	3.33A @ 12VDC
LED's.	40 LED's (1W each)
LED Type	SMD 2835
Flash Patterns	10 Total
Optics	Roman Lens
Protection	IP67
Mounting	Single Bolt
Flying Leads	0.5M
Lens Material.	PC
Lens Thickness	5.5mm
Operating Temp.	-20°C ~ +60°C
Storage Temp	As above
Weight	2.5Kg
Certificates	E Marked, ECE R10 & ECE R65.

The information contained in this document is correct to the best of our knowledge at the time of printing. However, specifications may change at any time without notice.