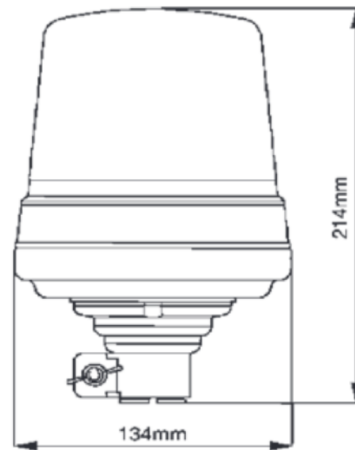


Technical Information Sheet

Part No. 0-444-19

12/24V rotating amber beacon. Free-form optics increase the light output by at least 20%. E-marked and approved to R65 and R10. Supplied without bulb.



Specification

Type	Rotating Amber Beacon
Flash Pattern	Single flash (rotating)
Flash Rate	160 +/- 30 FPM
Voltage	12/24V DC
Current	Max 4.59A @ 12v DC
Bulb	H1 (not supplied)
Fixing	DIN Mount
Base Material	ABS
Lens Material	Polycarbonate

The information provided in this document is correct to the best of our knowledge at time of printing. However, specifications may change at any time without notice.