

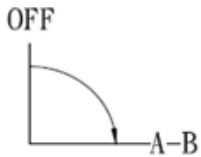
auto electrical parts

Technical Information Sheet

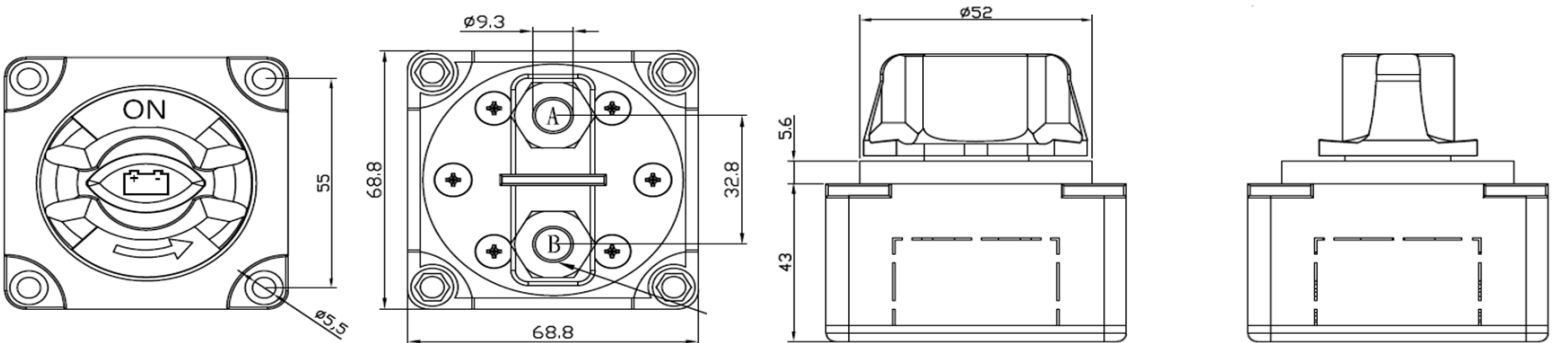
Part No. 0-605-11

Durite Marine battery isolator with removable control knob (in the off position). Rated at 300 amps continuous (1hr) at 48 volts dc and 1000 amps for 5 seconds. M10 studs. CE approved

Additional Information



Technical Drawing (not to scale)



Specification

Type	Marine Battery Isolator
Voltage	48VDC
Current	300Amp 1hour @ 48VDC (1000A Max for 5 Seconds)
IP Rating	IP66
Material	Housing/Knob: Nylon + Filber 30%
	Contact: Copper
	Stud: Silver Plated Copper
Dimensions	Please see above diagram
Approval	CE

The information contained in this document is correct to the best of our knowledge at the time of printing. However, specifications may change at any time without notice.