

auto electrical parts

Technical Information Sheet

Part No. 0-668-18

Slim 12/24 volt LED roof lamp with built in PIR Sensor, 21 bright white SMD LEDs, surface mounting, in white plastic. Clear Lens. Protected to IP 67. EMC R10.

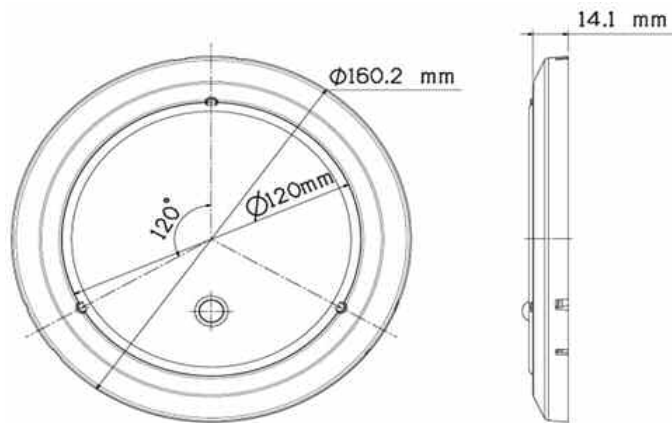
Additional information

PIR is on 3.5 Minute Timer

Black wire 12v +ve
White wire -ve ground
Yellow wire (for synchronizing a total of 6 lamps)



Technical Drawing (not to scale)



Specification

Type	LED roof lamp
Voltage	12/24 volt dc
LED	21 white
Illumination	1397Lm Approx.
Housing	ABS
Lens	PC
Protection	IP67
Dimensions	Please see diagram above
Compliance	EMC R10
Operating Temperature	-30 ~ 50 °C

The information contained in this document is correct to the best of our knowledge at the time of printing. However, specifications may change at any time without notice.