

## auto electrical parts

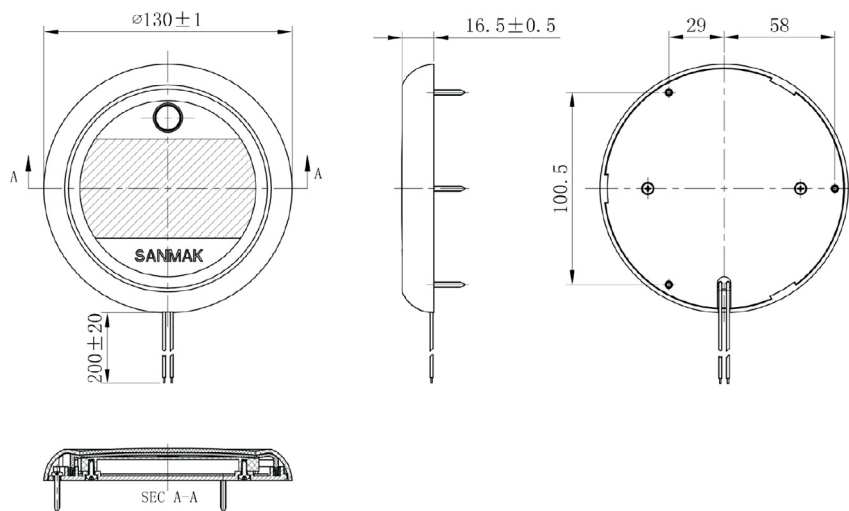
### Technical Information Sheet

#### Part No. 0-668-27

Durite's Mega Power SMD 2525 LED Interior Dome Lamp. 10-30VDC. 24 high power white SMD LED's. 1780Lm. PC Lens with ADC12 Housing. IP67. E Marked EMC R10. 20cm flying leads.



#### Technical Drawing (not to scale)



#### Specification

|                       |                               |
|-----------------------|-------------------------------|
| Type                  | LED Interior Dome Lamp        |
| Voltage               | 10-30VDC                      |
| Current Draw          | 0.80A @ 12VDC / 0.44A @ 24VDC |
| LED                   | 24 x 1W 2525SMD               |
| Illumination          | 1780Lm                        |
| Material              | PC Lens, ADC12 Housing        |
| Protection            | IP67                          |
| Operating Temperature | -25°C to 65°C                 |
| Switch                | N/A                           |
| Dimensions            | See above diagram             |
| Compliance            | CE, EMC R10                   |

The information contained in this document is correct to the best of our knowledge at the time of printing. However, specifications may change at any time without notice.