

## auto electrical parts

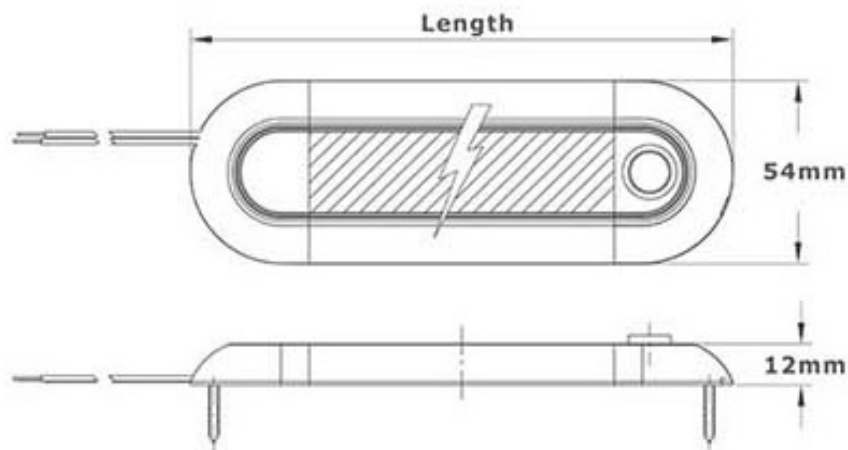
### Technical Information Sheet

#### Part No. 0-668-92

Durite Interior Lamp with PIR switch. SMD 2525 LED's. 10-30VDC. 22 white SMD LED's. PC Lens with ADC12 Housing. IP67. E Marked EMC R10. 20cm flying leads. Current Draw 0.26A @ 12VDC, 0.15A @ 24VDC.



#### Technical Drawing (not to scale)



#### Specification

|                       |                          |
|-----------------------|--------------------------|
| Type                  | Linear LED Interior Lamp |
| Voltage               | 10-30VDC                 |
| LED                   | 22 x 0.2W                |
| Power                 | 4.4W                     |
| Illumination          | 195 Lumens               |
| Lux @ 1 Meter         | 65 Lux                   |
| Material              | PC Lens, ADC12 Housing   |
| Protection            | IP67                     |
| Operating Temperature | -25°C to 65°C            |
| Switch                | PIR                      |
| Dimensions            | 160*54*12mm              |
| Compliance            | CE, EMC R10              |

The information contained in this document is correct to the best of our knowledge at the time of printing. However, specifications may change at any time without notice.