

auto electrical parts

Technical Information Sheet

Part No. 0-727-83

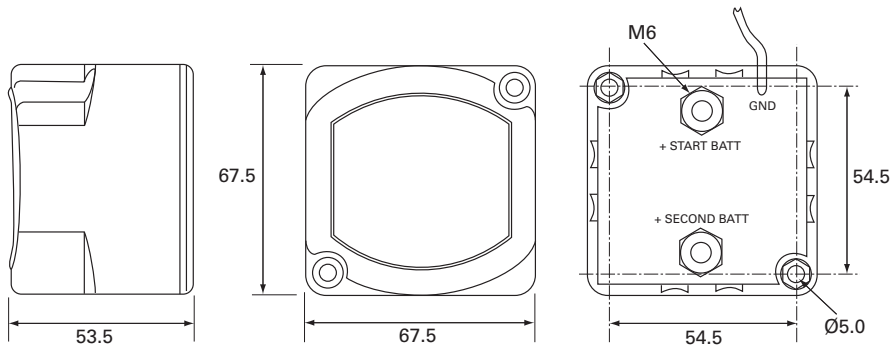
Voltage sensitive relay, 24 volt 140 amp with red LED indicator. Allows split charging of second battery bank without discharging the primary/start battery, relay makes at 27.4 volts and breaks at 25.6 volt. I 68 x w 54 x h 68mm. CE approved.

Additional information

A 5 second delay operates when the voltage falls below the cut-out voltage to prevent nuisance cut-out due to high intermittent loads on the battery. Supplied with self tapping screws and ring crimp terminal for ground lead.



Technical Drawing (not to scale)



Specification

Type	Voltage Sensitive Relay
Voltage	24 volt
Current	140 amp maximum
Cut-in voltage	27.4 volt (± 0.1 volt)
Cut-out voltage	25.6 volt (± 0.1 volt)
Cut-out time delay	5 seconds
Terminals	2 x M6
Ground lead	600mm
Dimensions	See diagram
Weight	220g

The information contained in this document is correct to the best of our knowledge at the time of printing. However, specifications may change at any time without notice.