

# auto electrical parts

## Technical Information Sheet

### Part No. 0-767-85

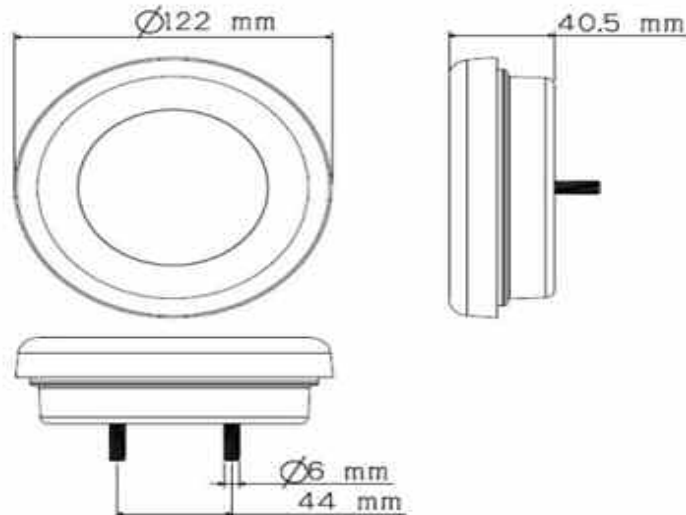
LED Rear lamp, 12/24 volt LED, tail/reverse/fog, supplied with 230mm cable. 122mm dia, 2 x M6 fixing bolts. ECE approved. Protected to IP67.

#### Additional information

Red wire	Fog
Black wire	Tail
Yellow wire	Reverse
White wire	Ground/negative



#### Technical Drawing (not to scale)



#### Specification

Type	LED rear lamp
Function	Tail/Reverse/Fog
Voltage	9-28 volt dc
Lens	PC
Body material	PC
Lead	230mm
Dimensions	See diagram above
Protection	IP67
Compliance	ECE

The information contained in this document is correct to the best of our knowledge at the time of printing. However, specifications may change at any time without notice.